

Perineal Post

DAA Hip Surgical Support Device

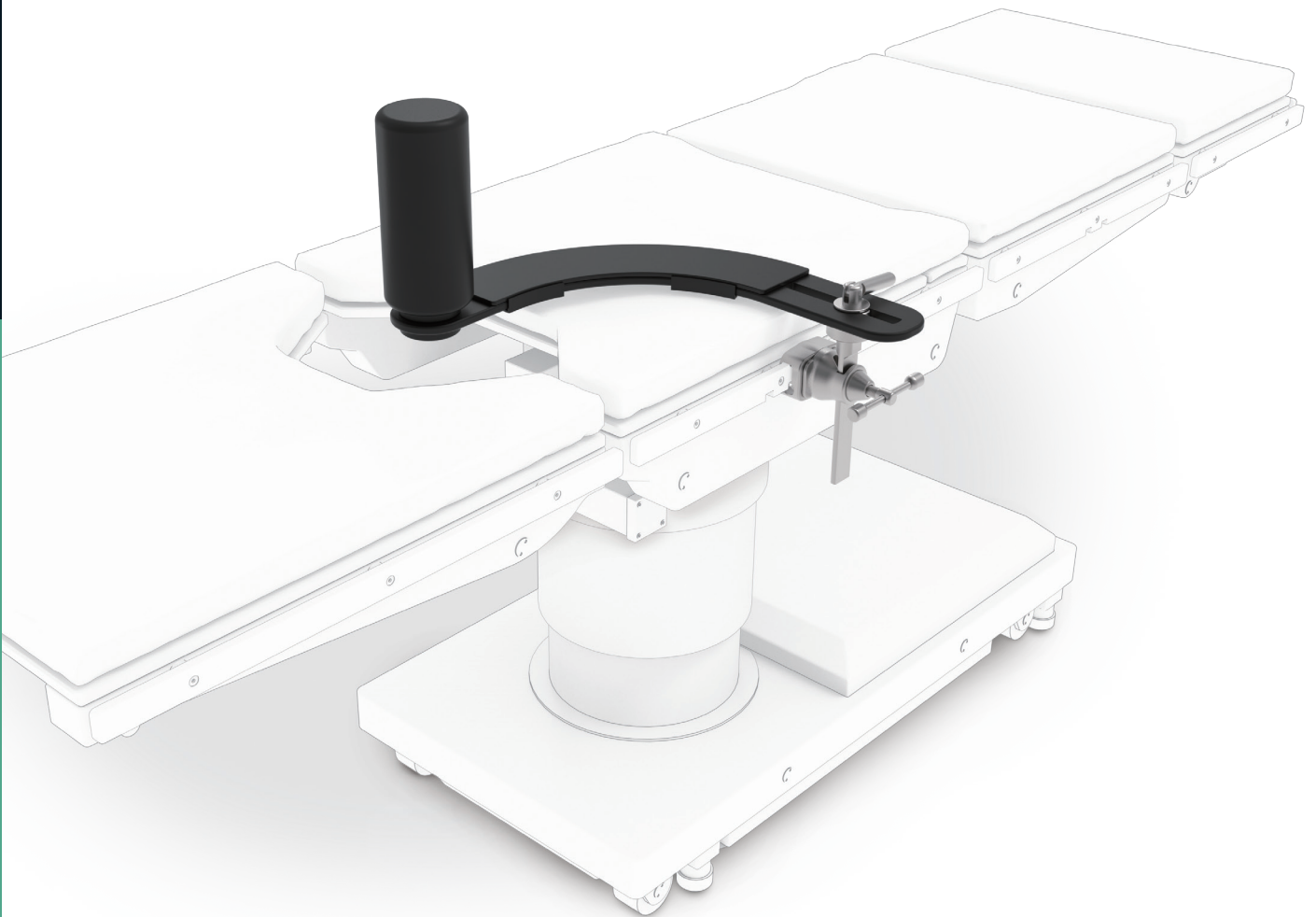


Table of Contents

Device Assembly Guide

A. Side Rail Clamp Assembly	1
B. Linkage Assembly	2
C. Transverse Bar Assembly	3
D. Perineal Post Assembly	5

Appendix: Disassembly Procedures	7
---	---

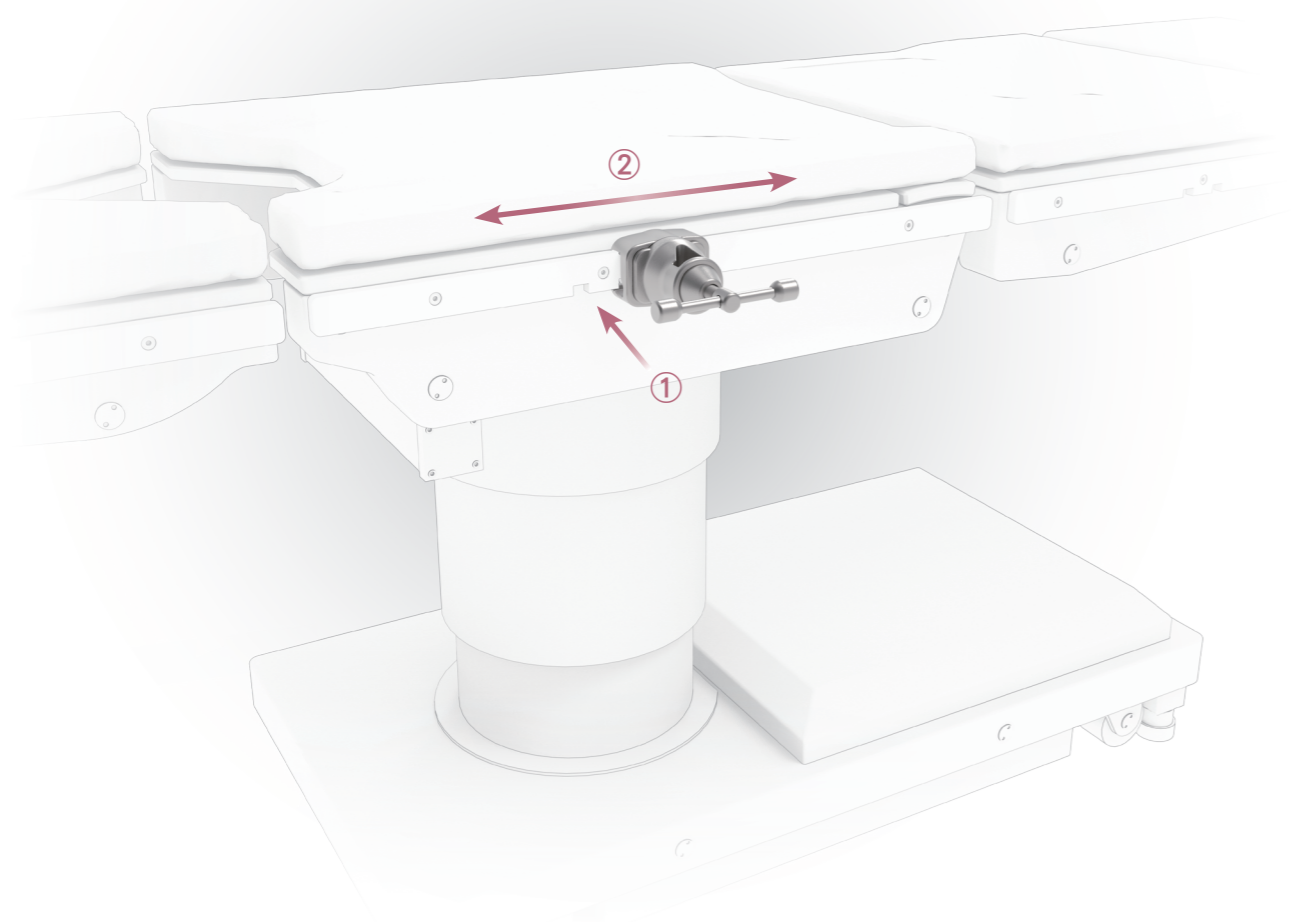
Order Information	9
--------------------------------	---

A. Side Rail Clamp Assembly

Install the **Side Rail Clamp** onto the side rail of the operating table. Slide the **Side Rail Clamp** to the desired position.

Note:

1. The **Side Rail Clamp, 937344, US** (catalog number: **9909-5701**) is only compatible with U.S. side rail.
2. The **Side Rail Clamp** should be installed on the side opposite the hip surgery site. Installing it on the operative side may interfere with the surgeon's standing position or the installation and use of other auxiliary instruments.

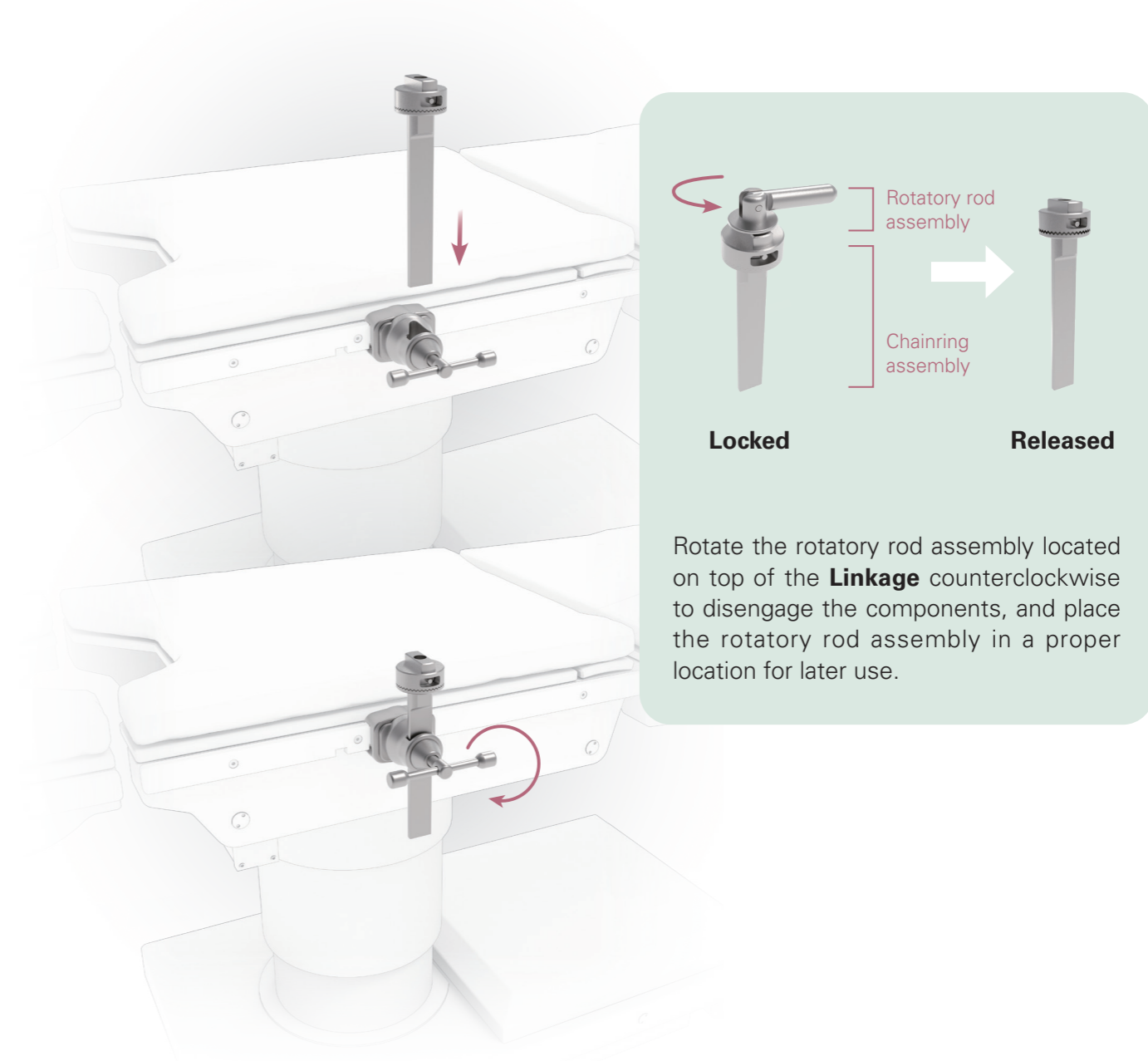


B. Linkage Assembly

Insert the chainring assembly of **Linkage** into the rectangular slot of the **Side Rail Clamp**. Rotate the clamp handle clockwise to lightly secure the **Linkage**.

Note:

Since the final height of the **Linkage** has not yet been determined, strong tightening is not required at this step.



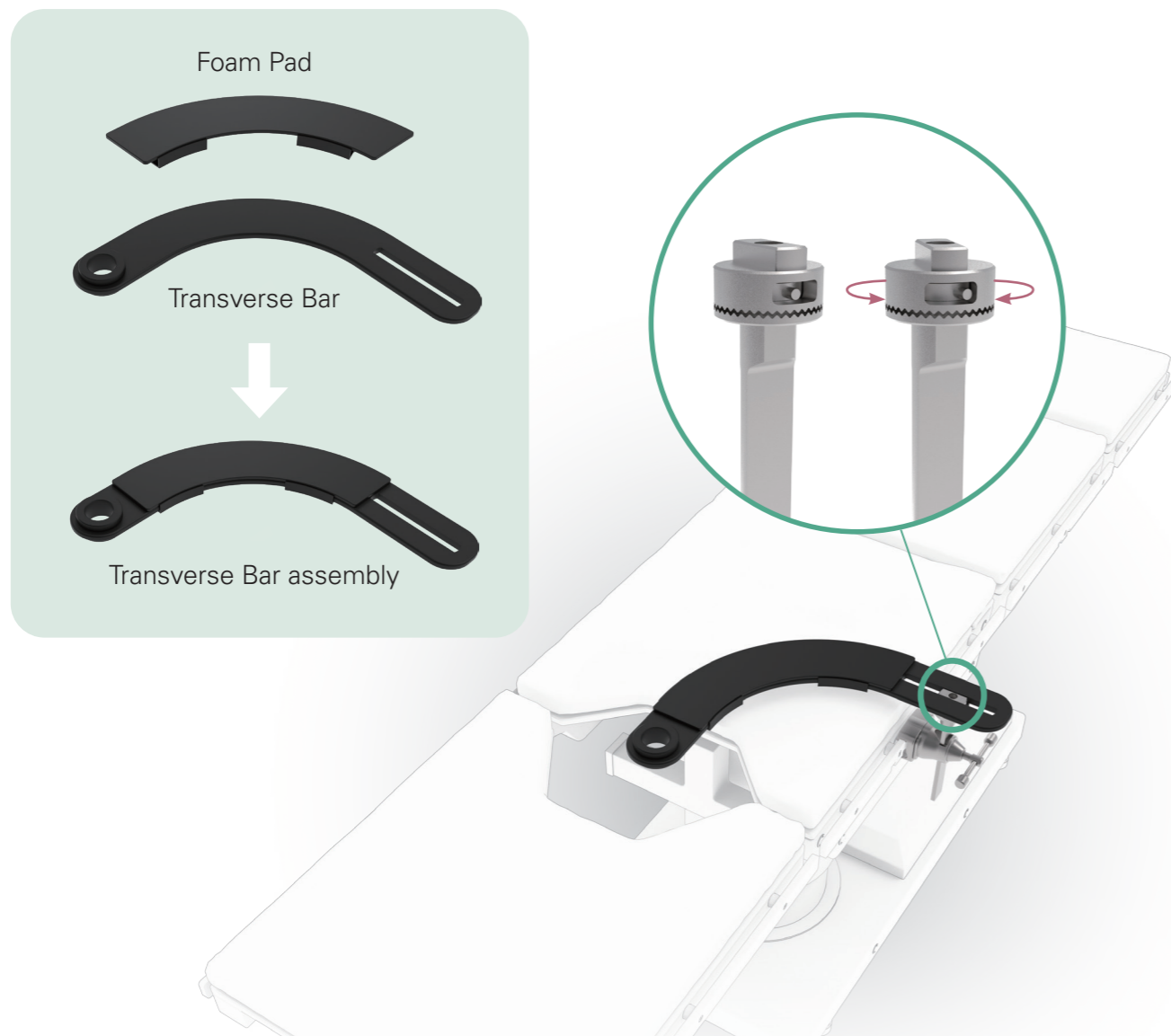
C. Transverse Bar Assembly

Wrap the **Foam Pad** around the **Transverse Bar** and secure it with the hook-and-loop fastener. Align the long slot on the **Transverse Bar** with the rectangular protrusion on top of the chainring assembly (part of the **Linkage**) and place it in position. The **Transverse Bar** should extend from the **Side Rail Clamp** on the side opposite the hip surgery, travel onto the tabletop, and then turn toward the patient's lumbosacral region, extending toward the inguinal area.

✍ Tips:

The mounting hole on the **Transverse Bar** for the **Perineal Post** can be adjusted to the proper position using the following mechanisms:

- The long slot on the **Transverse Bar** allows for lateral adjustment of the mounting hole.
- Sliding the **Side Rail Clamp** allows for longitudinal adjustment of the mounting hole.
- If rotational adjustment of the **Transverse Bar** is needed, it can be done via the chainring assembly on top of the **Linkage**.



C. Transverse Bar Assembly

After confirming the correct orientation of the **Transverse Bar**, tighten the rotatory rod assembly and chainring assembly on top of the **Linkage** to secure the **Transverse Bar** in place.

If the **Transverse Bar** is not resting flush on the operating table, rotate the handle on the **Side Rail Clamp** counterclockwise to loosen it, allow the bar to settle onto the table surface, then repeat tighten the **Side Rail Clamp** by rotating the handle clockwise.

✍ Note:

The **Transverse Bar** and **Foam Pad** are shared components for both the left and right leg. They can be flipped and used according to the positional needs of the left or right side.

Ensure that the cushioned side of the **Foam Pad** faces the patient, while the hook-and-loop fastener side faces the operating table. Incorrect orientation will compromise the **Foam Pad's** function in reducing pressure on the patient's back and buttocks.



D. Perineal Post Assembly

Insert the cylindrical base of the **Perineal Post** into the circular hole at the end of the **Transverse Bar** to complete installation.

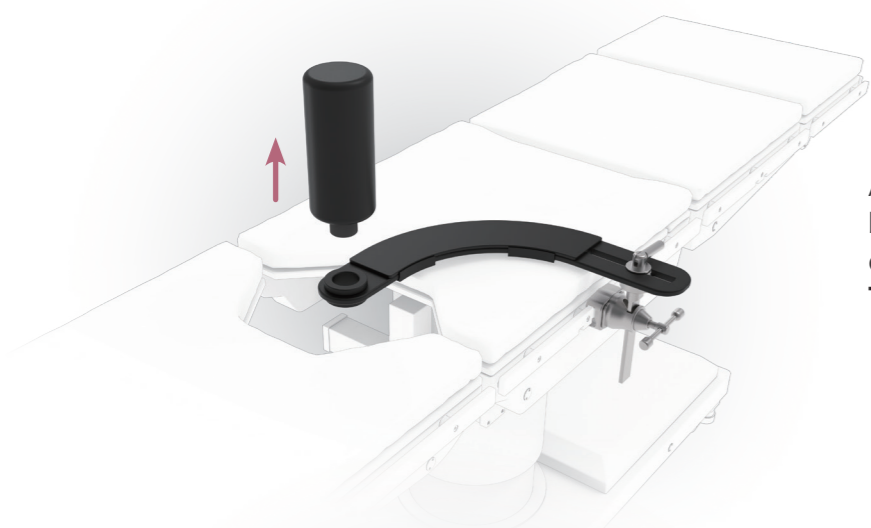
 **Note:**

After the **Perineal Post** is installed, a sterile barrier must be established using drapes, isolation sheets, or other auxiliary materials. The full **Perineal Post** set **MUST NOT** be exposed to the sterilized zone or come into contact with the patient or the surgical staff during the procedure.



Appendix: Disassembly Procedures

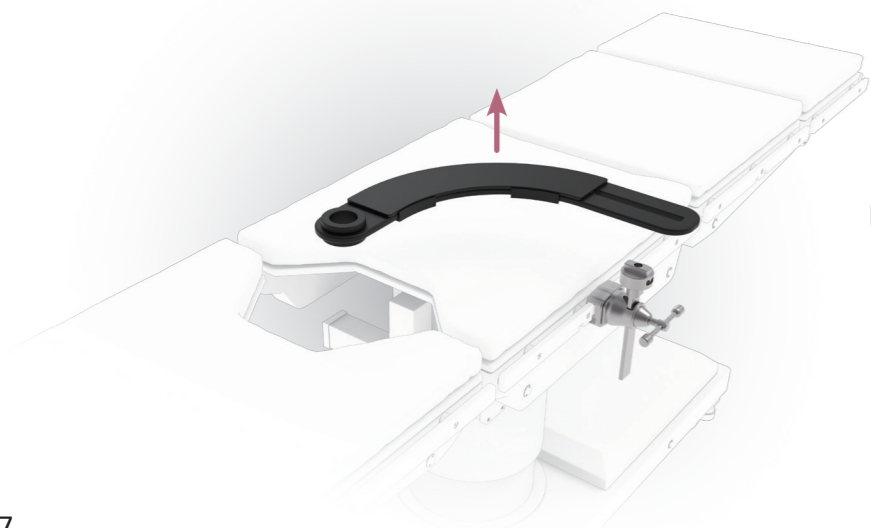
Removal of Perineal Post and Transverse Bar



After removal of sterilization barrier, pull the **Perineal Post** out from the circular hole on the **Transverse Bar**.



Loosen the rotatory rod assembly on top of the **Linkage** and remove the **Transverse Bar** along with the **Foam Pad**.

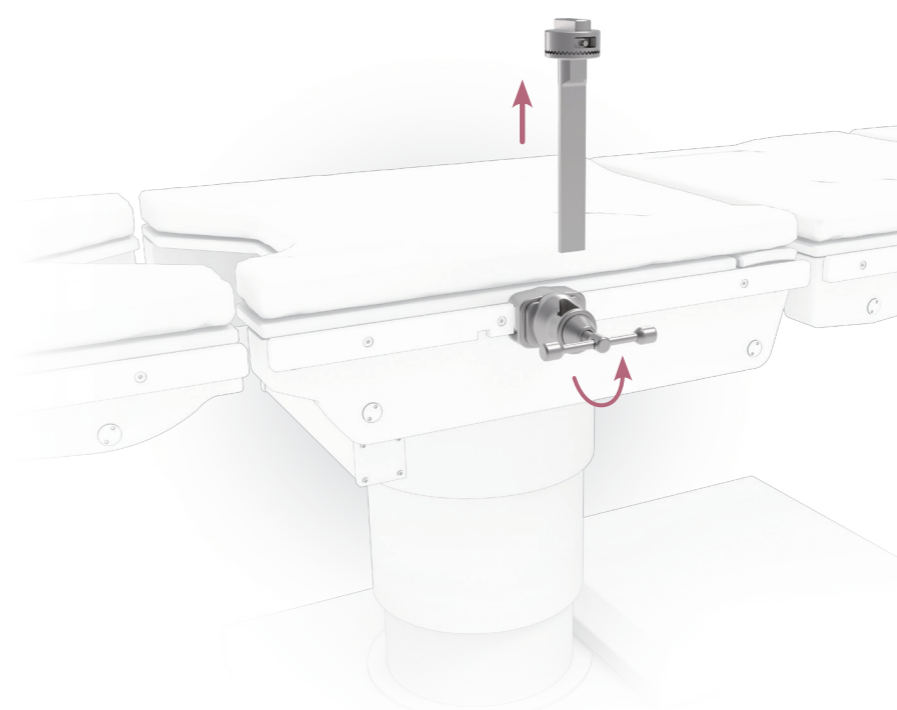


Remove the **Transverse Bar**.

Appendix: Disassembly Procedures

Removal of Linkage

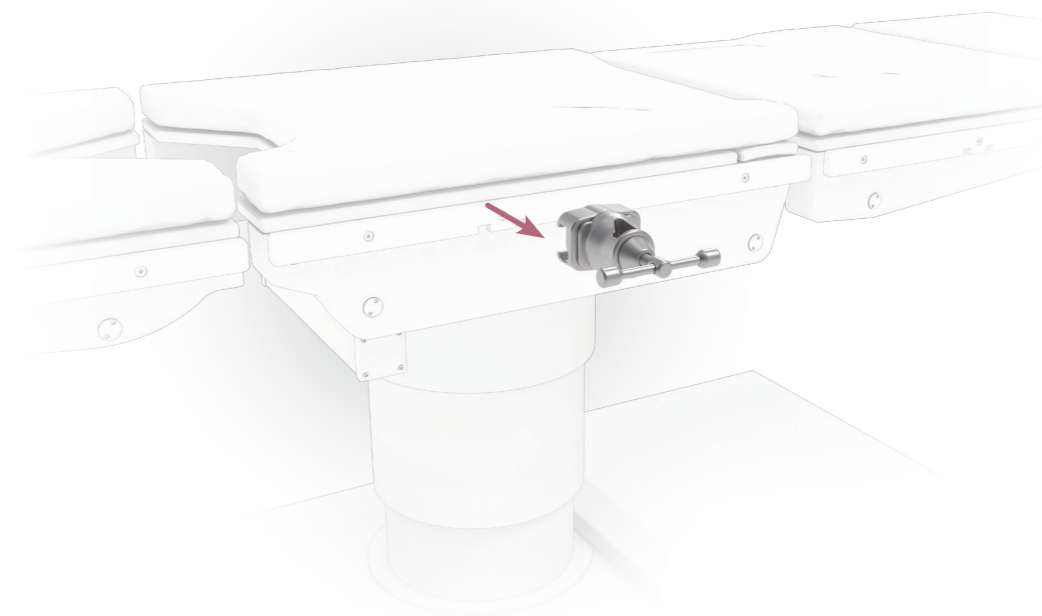
Rotate the handle on the **Side Rail Clamp** counterclockwise to loosen the **Linkage** from the table side rail. Pull the chaining assembly upward to remove it from the rectangular slot of the **Side Rail Clamp**.



Note:
To avoid component loss, it is recommended to reassemble the rotatory rod assembly and chaining assembly at this stage before storage.

Removal of Side Rail Clamp

Slide the **Side Rail Clamp** along the side rail to the rail opening (or rail end, depending on the design) and remove it from the operating table.



Order Information

	Catalog Number	Description
	9909 - 5701	Side Rail Clamp, 937344, US
	9909 - 5702	Linkage
	9909 - 5703	Transverse Bar
	9909 - 5704	Foam Pad
	9909 - 5705	Perineal Post

Please note that this Surgical Technique Guide has been authored in the English language. Any translations into other languages have not been reviewed or approved by United Orthopedic Corporation and their accuracy cannot be confirmed. Any translated guide should be reviewed carefully prior to use and questions regarding a Surgical Technique Guide should be directed to United Orthopedic Corporation at [unitedorthopedic.com/contact](https://www.unitedorthopedic.com/contact)

